

Chapter 6

Check·Adjustment·Maintenance

DANGER

- When checking, adjusting or maintaining this dryer, be sure to turn OFF the power switch and unplug the dryer. Otherwise, electric leakage may occur, resulting in fatal accident. Besides, someone may inadvertently press the power switch and it may cause a danger.

WARNING

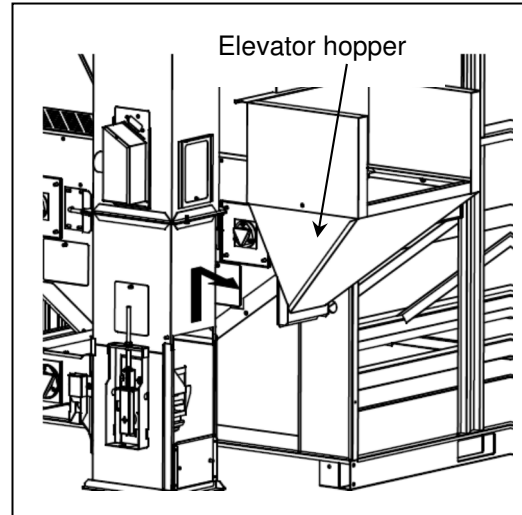
- When checking, adjustment or maintaining this dryer, or when lighting is needed to look its inside, always use a flashlight only. If you use an electrical lamp supplied from the mains outlet, lamp cord may be damaged by the edge of steel sheet and it could cause an electric leakage, resulting in fatal accident.

CAUTION

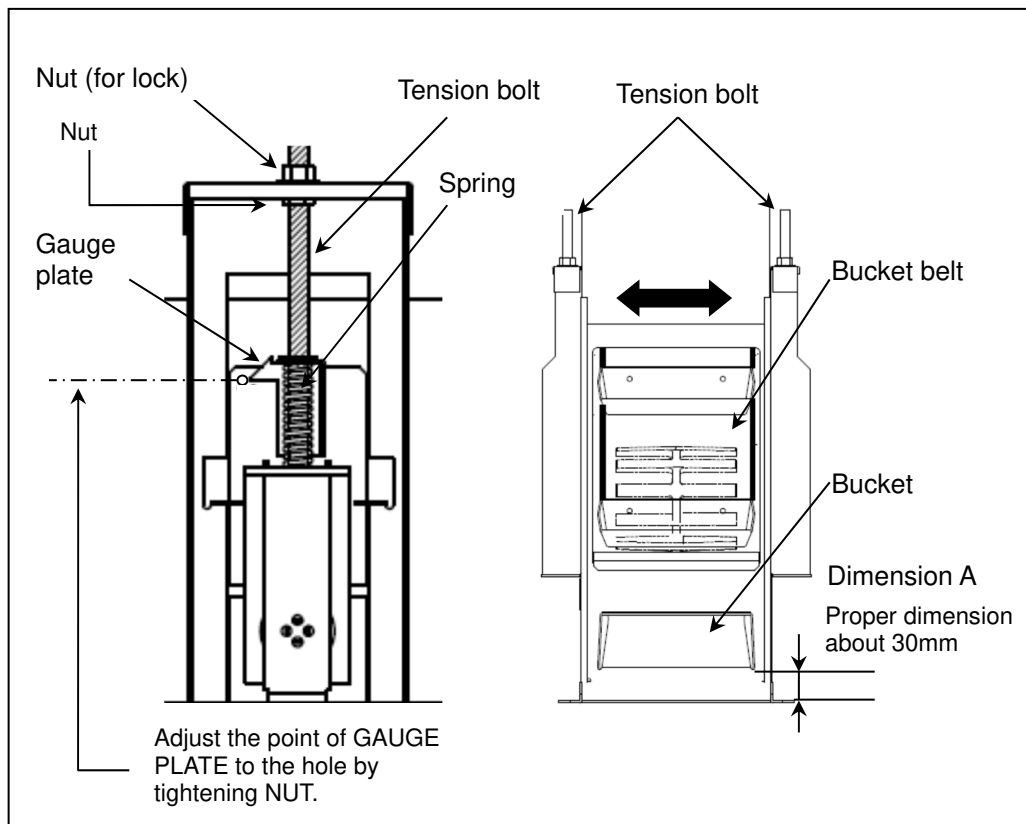
- Be sure to put the covers removed for check, adjustment or maintenance of this dryer back in place. Otherwise, it may cause injury.

6.1 Check and adjustment of the Bucket belt

- The bucket belt tension will be loosened by operating, so check the tension of it once a month and adjust it.
- Before checking BUCKET ELEVATOR BELT, remove ELEVATOR HOPPER and check it.



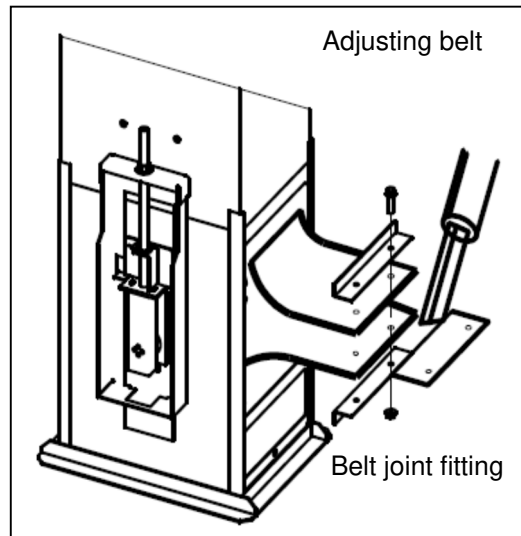
- When BUCKET BELT leans to one side, adjust the position of it to the center by using the TENSION BOLT.



● If BUCKET ELEVATOR BELT is stretched too much, too heavy load is imposed on the motor and the motor is locked.

① Remove the ELEVATOR HOPPER and check the elongation of BUCKET BELT.

- When the clearance between the bottom plate of elevator and the tip of BUCKET (dimension A in the drawing on the page 58) is 30 mm or less, loosen the TENSION BOLT to the end to get margin, and joint the belt as tight as possible.



② Adjust the belt by the TENSION BOLT on both sides so that the BUCKET pass in the middle of the ELEVATOR.

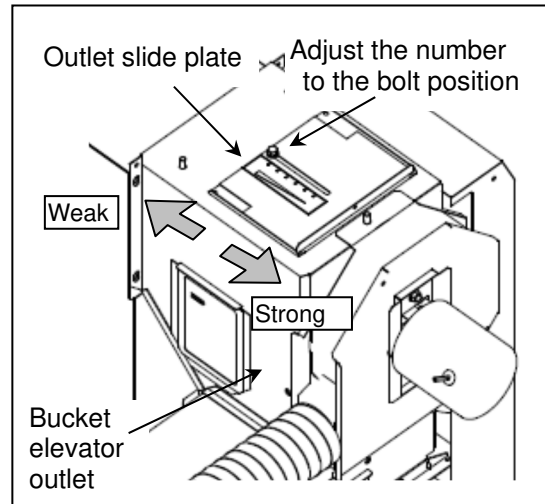
③ Carry out a dry run. If the bucket belt runs to one side, adjust by the TENSION BOLT on both right and left side additionally.

6.2 Adjustment of suction for dust exhauster

⚠ DANGER

- The following works must be done in high places and very dangerous. Do not attempt to do it by yourself. Ask the vendor to do them.

- Adjust the suction level by OUTLET SLIDE PLATE mounted on the Bucket elevator outlet.
 - When OUTLET SLIDE PLATE is adjusted in the direction of scale mark 6, suction becomes strong. If it is adjusted in the direction of scale mark 1, suction becomes weak. Before shipping, the slide plate has been set to scale marks 3.



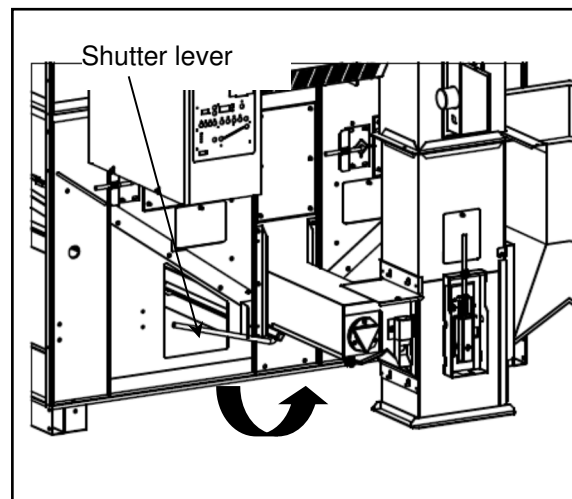
6.3 How to clean residual grain

- Cleaning covers and levers are provided for places where grains are likely to remain.
Before storage of the dryer or before and after drying of different types of grain, clean these places as follows.

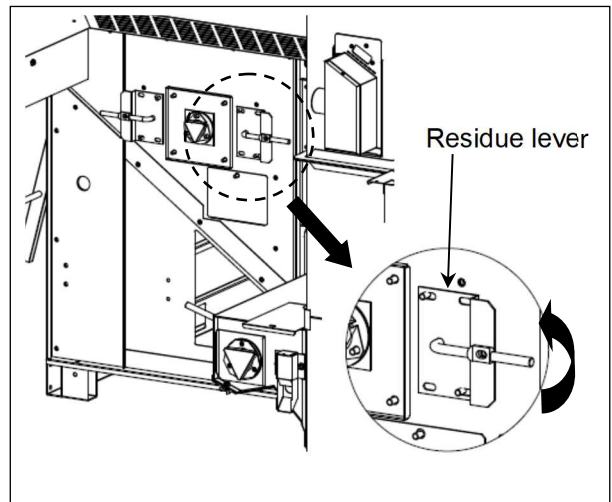
① Discharge grains in the dryer as much as possible by discharging operation.

② When very few grain is discharged, stop operation of the dryer and turn the power OFF, and unplug the dryer.

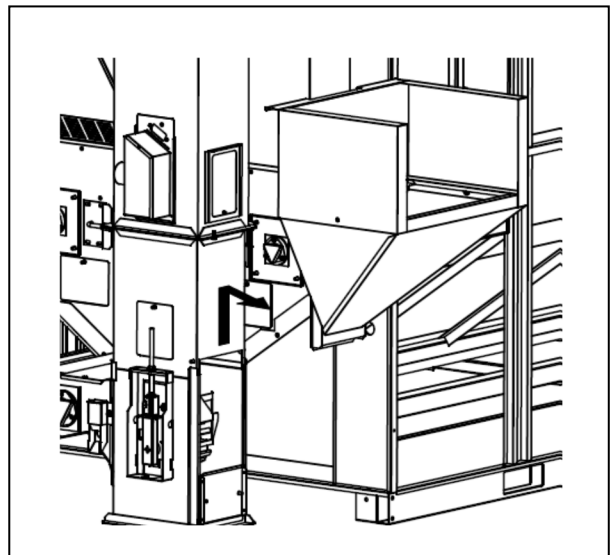
③ Pull the Lower SHUTTER LEVER to your side while pressing downward and remove it from the lever fixture. Then turn it upward.



- ④ RESIDUE LEVER (two provided for left and right, four in total) are provided on rear side of elevator and that of air suction cover. Raise them to the position “OPEN” and secure them by wing screws.



- ⑤ Remove ELEVATOR HOPPER and BUCKET ELEVATOR INLET BASE PLATE, and discharge the grains remaining in the lower part of the ELEVATOR.



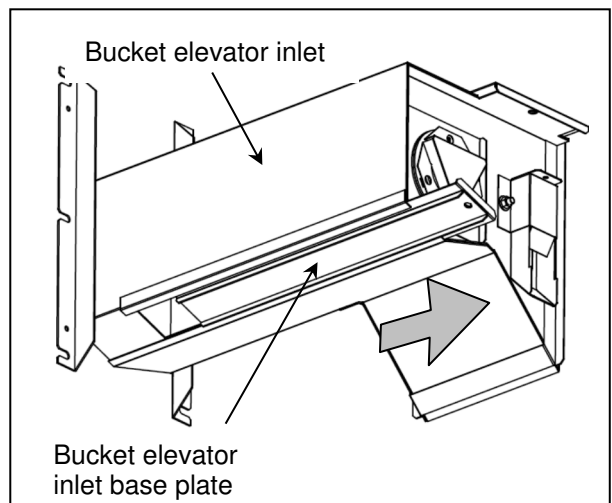
- ⑥ Put ELEVATOR HOPPER and BUCKET ELEVATOR INLET BASE PLATE back in place.

- ⑦ Operate the dryer again for discharging, paying attention to the rotating part.

- ⑧ When grains stop being discharged completely, stop the dryer.

- ⑨ Check every part of the dryer and clean the remaining area where cleaning is not completed.

- ⑩ Put cleaning covers and levers back in place and fasten them.

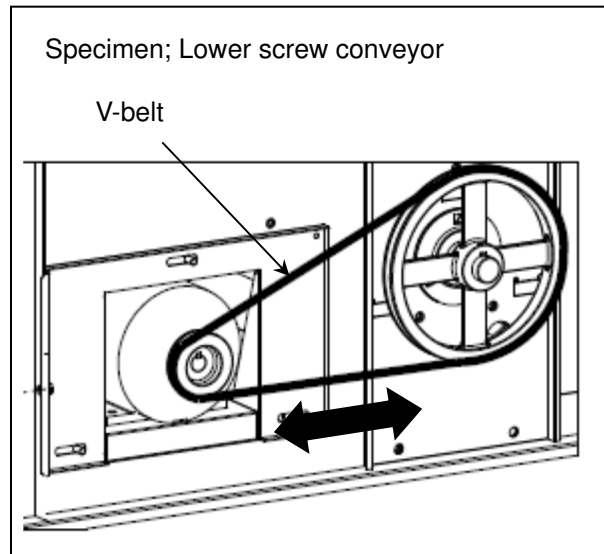


6.4 Checking of the motor belt and chain

● The V-belt and chain tension will be loosened by operating, so check the tension of it once a month and adjust it.

● Check the following V-belt and chain.

- 1) Lower screw conveyor
- 2) Upper screw conveyor
- 3) Blower
- 4) Suction blower
- 5) Shutter drum



6.5 How to take out samples

● Bringing up the sample outlet while dryer is running, take out the samples.

