

Check, Adjustment, Maintenance (B)

DANGER

- When checking, adjusting, or maintaining this dryer, be sure to turn OFF the power switch and unplug the dryer. Otherwise, electric leakage may occur, resulting in fatal accident. Besides, someone may inadvertently press the power switch and it may cause a danger.

WARNING

- When checking, adjusting, or maintaining this dryer and when lighting is needed to look its inside, always use a flashlight only. If you use an electrical lamp supplied from the main outlet, lamp cord may be damaged by the edge of steel sheet and it could cause an electric leakage, resulting in fatal accident.

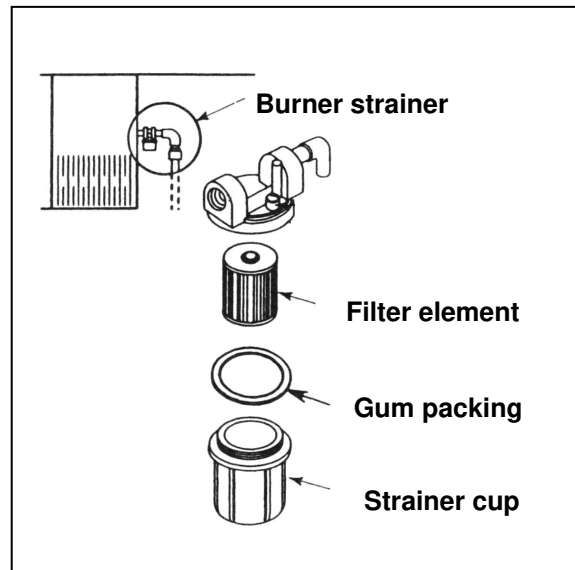
CAUTION

- Be sure to put the covers removed for check, adjustment, or maintenance of this dryer back in place. Otherwise, it may cause injury.

1 Cleaning of burner strainer (Oil burner)

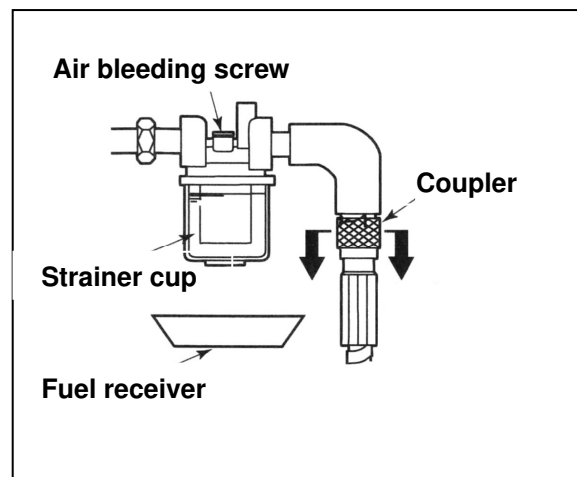
- If the dusts and water are accumulated in the burner strainer, disassemble and clean up it.

- ① When the cup was turned to the left, it is loosened. Then, the filter element and the gum packing are removed.
- ② Clean up the filter element and the strainer cup by using the fuel.
- ③ Reassemble all the parts.



2 Air bleeding of burner strainer (Oil burner)

- ① Check that the tank cock position is "Open".
- ② Put the fuel receiver under the strainer cup.
- ③ Loosen the air bleeding screw.
- ④ Check if the air bubble is mixed in the fuel coming out from the screw for air bleeding.



- The air bleeding is end after no bubble is in the fuel coming out from the screw for air bleeding. And then tighten the air bleeding screw.
- Do the air bleeding of the burner strainer under the situation which the fuel level in the fuel tank is higher than the air bleeding screw.