

## Check • Adjustment • Maintenance

### DANGER

- When checking, adjusting or maintaining this dryer, be sure to turn OFF the power switch and unplug the dryer. Otherwise, electric leakage may occur, resulting in fatal accident. Besides, someone may inadvertently press the power switch and it may cause a danger.

### WARNING

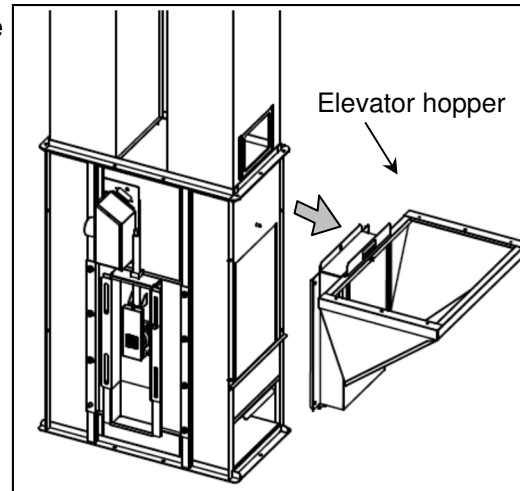
- When checking, adjustment or maintaining this dryer, or when lighting is needed to look its inside, always use a flashlight only. If you use an electrical lamp supplied from the mains outlet, lamp cord may be damaged by the edge of steel sheet and it could cause an electric leakage, resulting in fatal accident.

### CAUTION

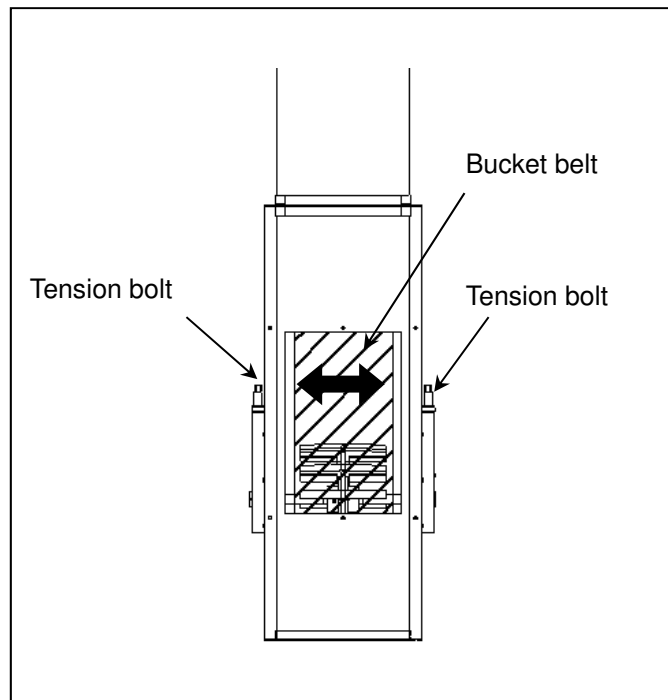
- Be sure to put the covers removed for check, adjustment or maintenance of this dryer back in place. Otherwise, it may cause injury.

## 1 Check and adjustment of the Bucket belt

- The bucket belt tension will be loosened by operating, so check the tension of it once a month and adjust it.
- Before checking BUCKET BELT, remove ELEVATOR HOPPER and check it.

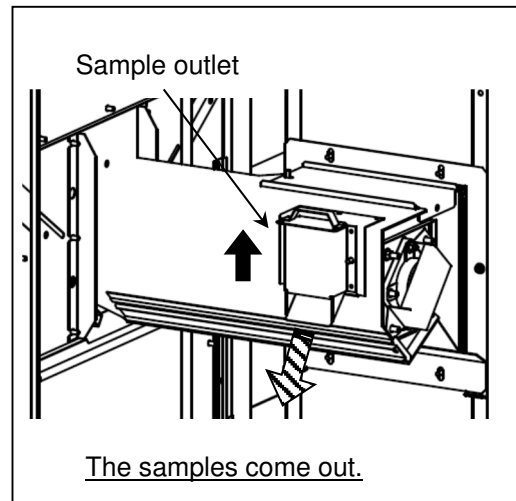


- When BUCKET BELT leans to one side, adjust the position of it to the center by using the TENSION BOLT.



## 2 How to take out samples

- Bringing up SAMPLE OUTLET while dryer is running, take out the samples.

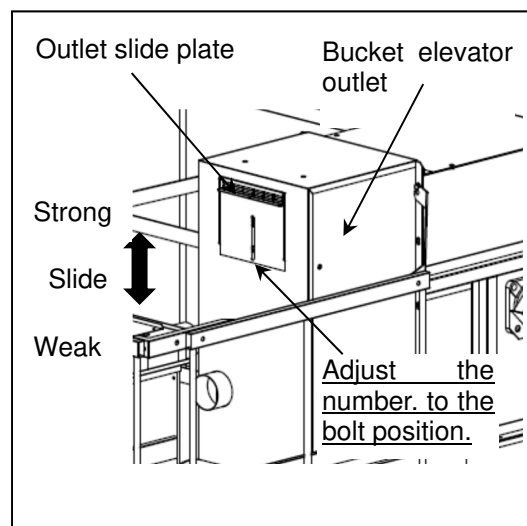


## 3 Adjustment of suction for Dust exhauster

### **⚠ DANGER**

- The following works must be done in high places and very dangerous. Do not attempt to do it by yourself. Ask the vendor to do them.

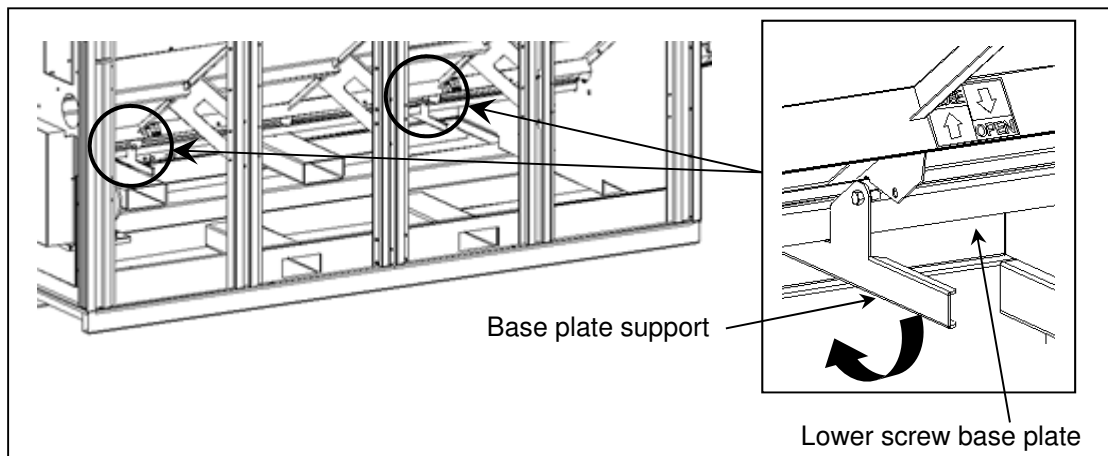
- Adjust the suction level by OUTLET SLIDE PLATE mounted on the BUCKET ELEVATOR OUTLET.
- When OUTLET SLIDE PLATE is adjusted in the direction of scale mark 6, suction becomes strong. If it is adjusted in the direction of scale mark 1, suction becomes weak. Before shipping, the slide plate has been set to scale marks 3.



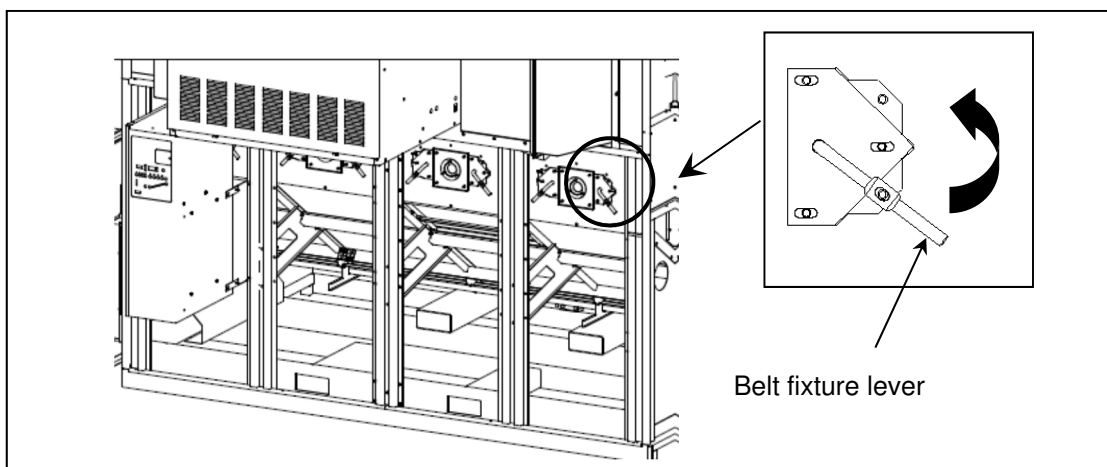
## 4 How to clean residual grain

- Cleaning covers and levers are provided for places where grains are likely to remain. Before storage of the dryer or before and after drying of different types of grain, clean these places as follows.

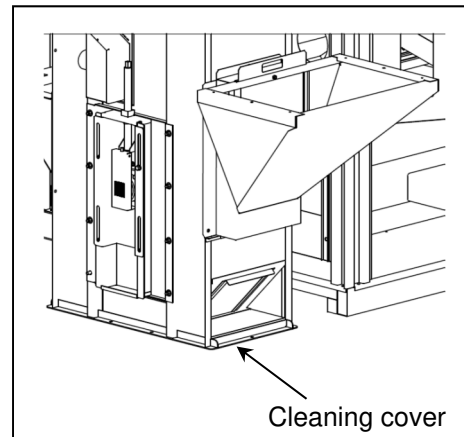
- ① Discharge grains in the dryer as much as possible by discharging operation.
- ② When very few grain is discharged, stop operation of the dryer and turn the power switch "OFF", and unplug the dryer.
- ③ Take off BASE PLATE SUPPORT (2 places in total) and open LOWER SCREW BASE PLATE.



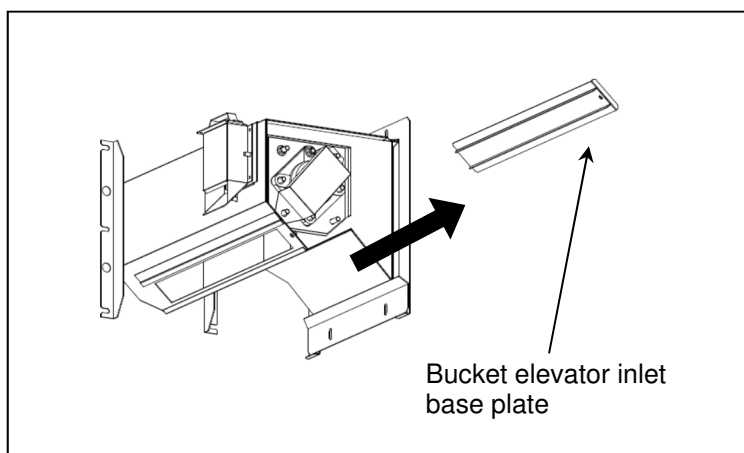
- ④ Raise BELT FIXTURE LEVER (8 places in total) to drop the residual grain in the dryer.



- ⑤ Raise CLEANING COVER (2 places in total) and then scrap out the residual grain from BUCKET ELEVATOR BOTTOM BOX. There is another CLEANING COVER at the opposite side.



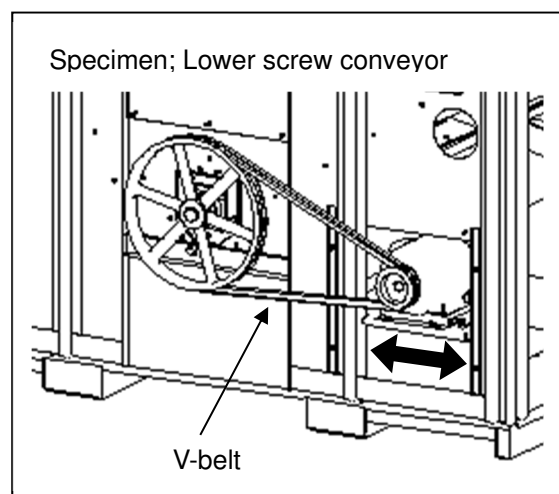
- ⑥ Take off BUCKET ELEVATOR INLET BASE PLATE to drop the residual grain.



- ⑦ Refix all support, lever, cover, and plate.

## 5 Checking of the motor belt and chain

- The V-belt and chain tension will be loosened by operating, so check the tension of it once a month and adjust it.
- Check the following V-belt and chain.
  - 1) Lower screw conveyor
  - 2) Upper screw conveyor
  - 3) Blower
  - 4) Suction blower
  - 5) Sutter drum



## 6 Checking of the Distributing device

### DANGER

- The following works must be done in high places and very dangerous. Do not attempt to do it by yourself. Ask the vendor to do them.

- SPREADER and UPPER SCREW SHOOT will be worn by operating, so check the status of them every half year. If they are consumed, replace them by new ones.

