

Storage

⚠ DANGER

- When storing this dryer, be sure to turn OFF the power switch and unplug the dryer. Otherwise, electric leakage may occur, resulting in fatal accident. Besides, someone may inadvertently press the power switch and it may cause a danger.

- When storing this dryer for a long time, be sure to observe the following steps so that each part can withstand the long-term storage and the dryer can operate smoothly for next use.

● Steps for storage

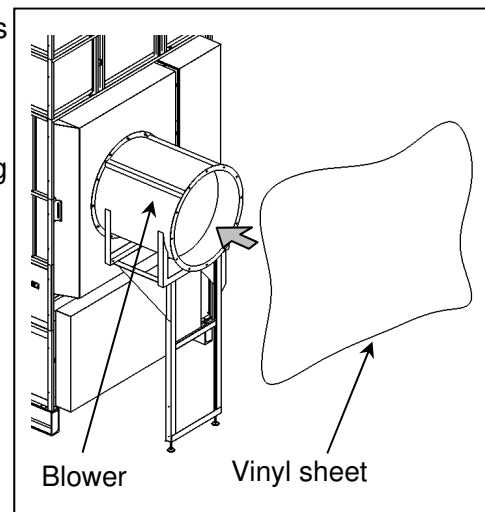
(1) Cleaning of residual grain in the dryer

Discharge the residual grain in the dryer and clean its inside.

- Refer to the chapter 6.4 “How to clean the residual grain”

(2) Blower

- ① Check the inside of BLOWER. If residues are accumulated, clean them up.
- ④ To prevent rat intrusion, cover the opening of blower with vinyl sheet, etc.



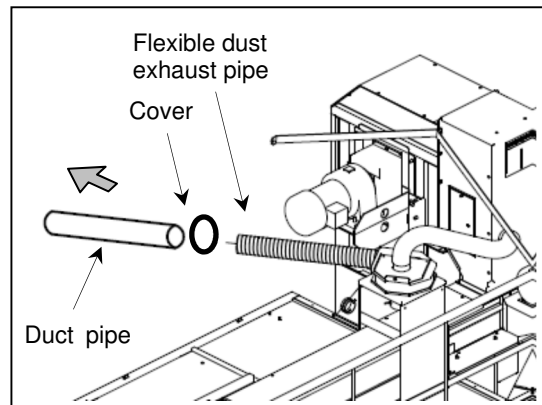
(3) Dust discharger and Distributing device

⚠ DANGER

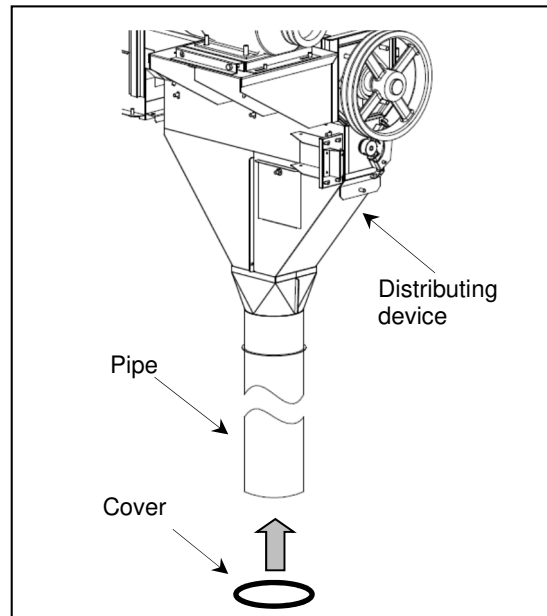
- The following works must be done in high places and they are dangerous. Give special care to avoid falling.

① Remove DUCT PIPE from FLEXIBLE DUCT EXHAUST PIPE.

② Put a proper cover or plug on the outlet of FLEXIBLE DUST EXHAUST PIPE to prevent rat intrusion.



③ Put a proper cover or plug on the outlet of Pipe to prevent rat intrusion.

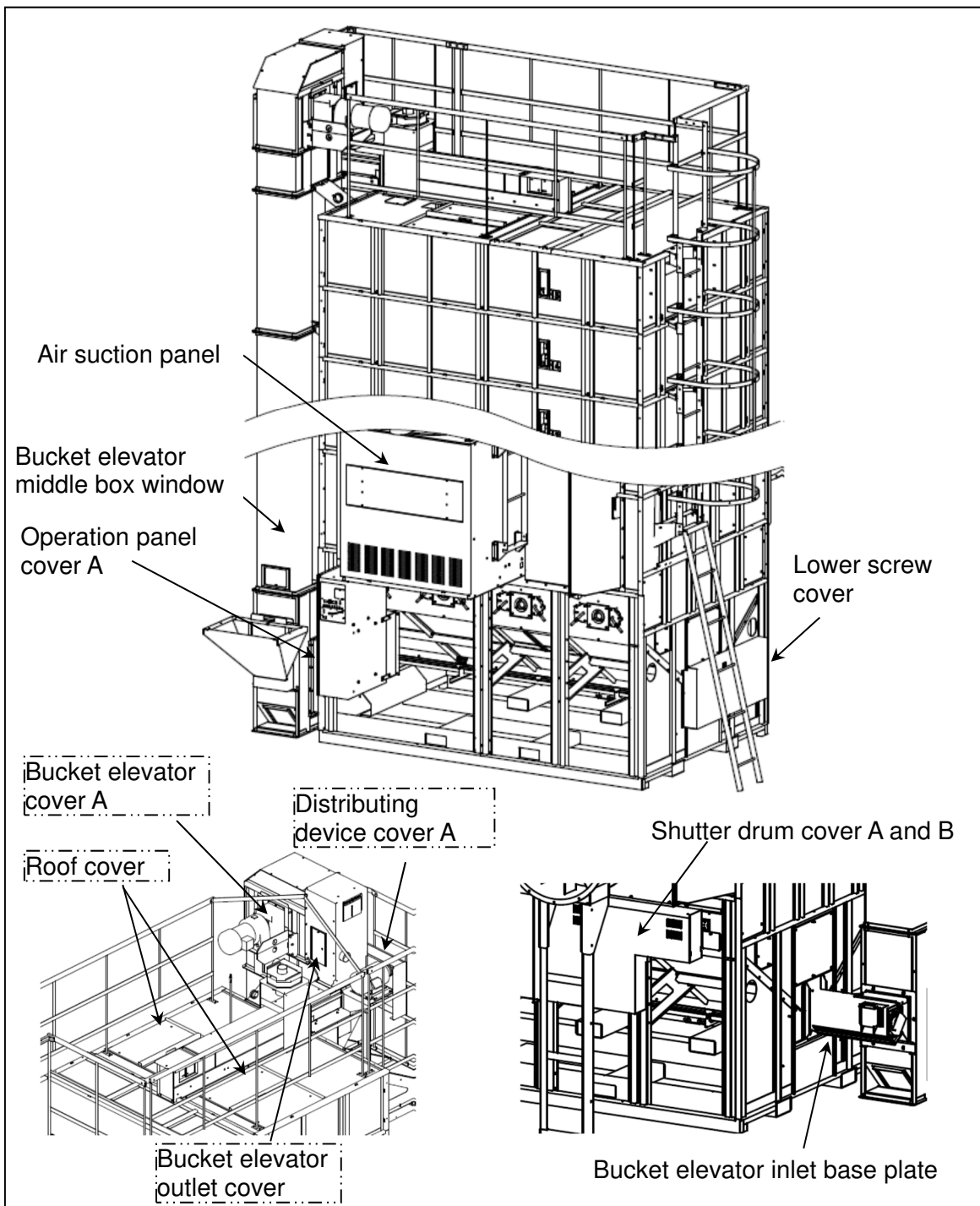


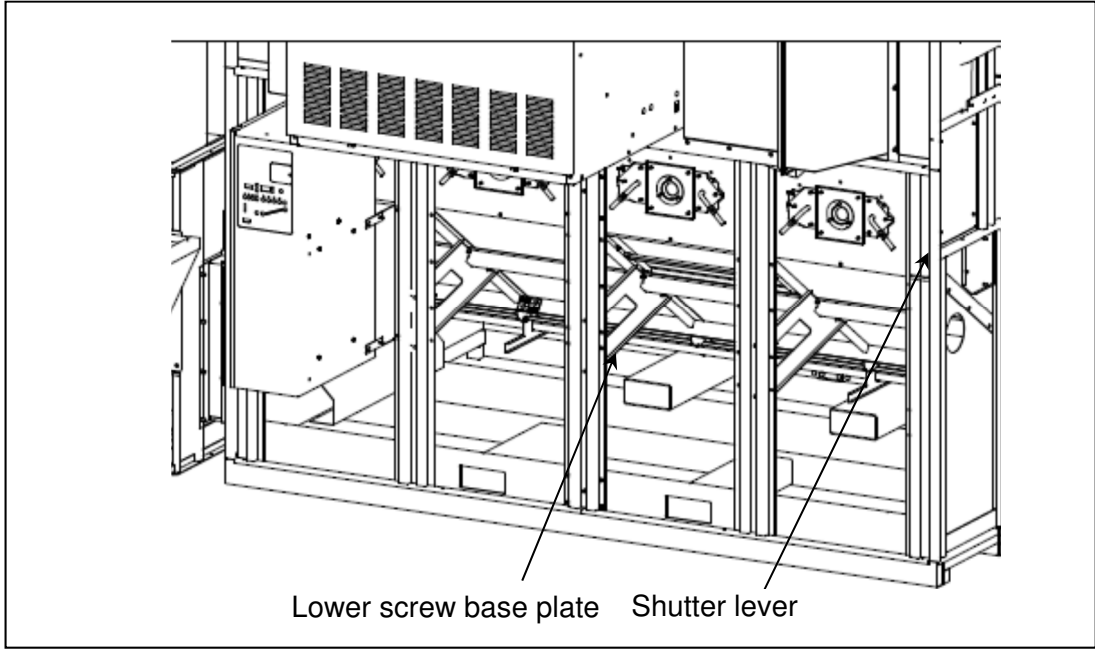
(4) Other countermeasures against rats

⚠ DANGER

Check of items enclosed in the frame of two dot chain line (— · — · — ·) below must be done in high places and it is very dangerous. Give special care to avoid falling.

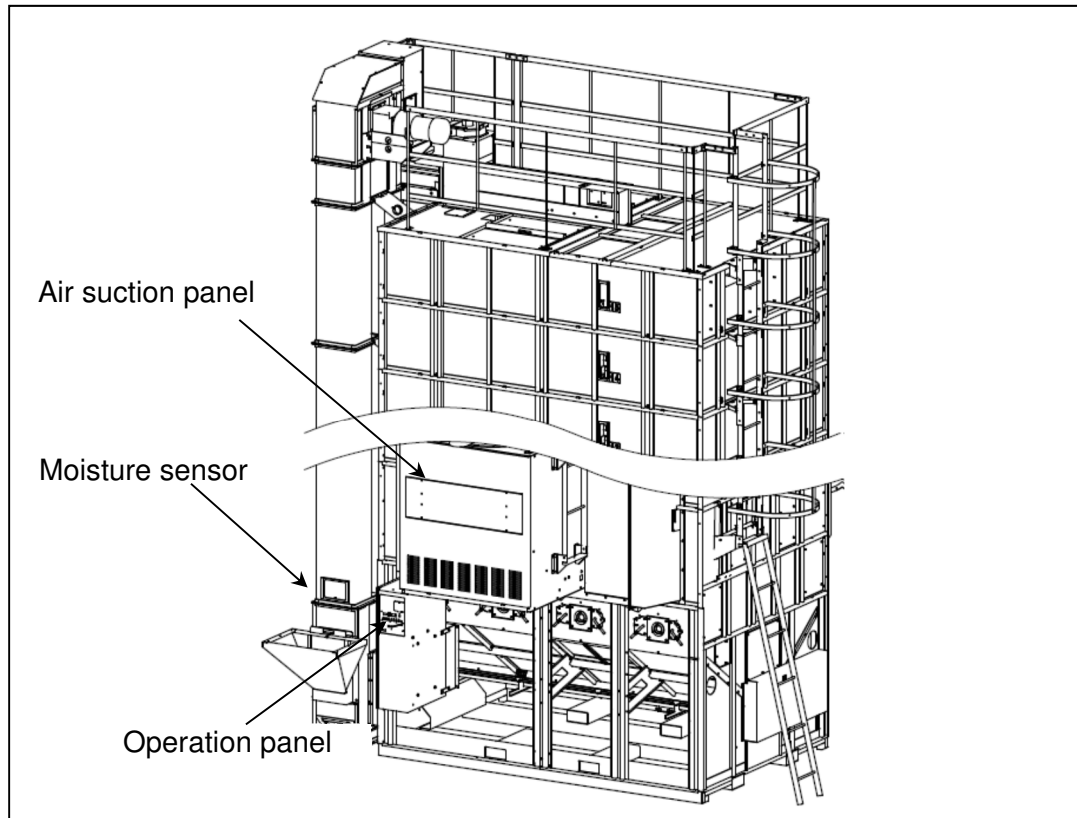
- ① Check that the windows and cover are fixed like the following.



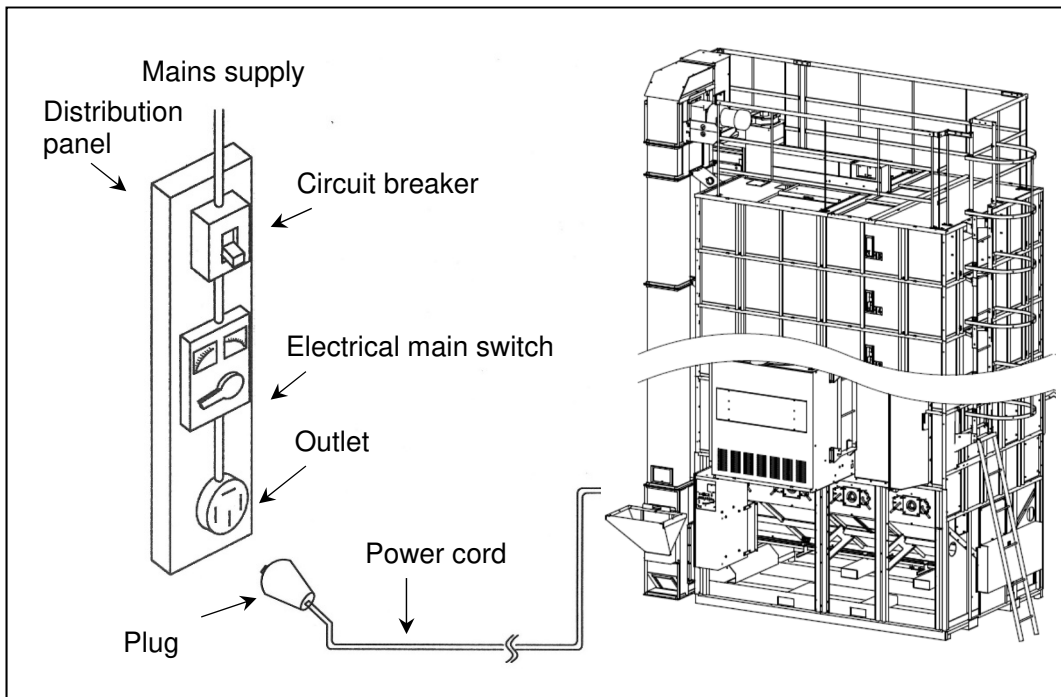


(5) Electrical parts

- ① Cover AIR SUCTION PANEL, OPERATION PANEL, MOISTURE SENSOR, and each motor section with vinyl sheet, etc. to prevent ingress of moisture, raindrops, etc.



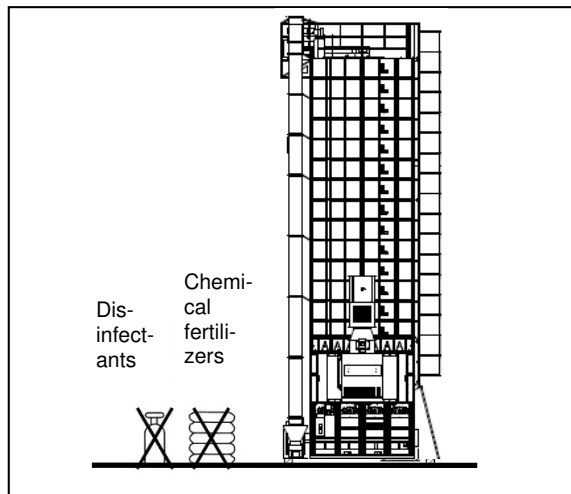
- ② Pull out the plug from the outlet of mains supply.



⚠ CAUTION

- **Unplug the power supply cord from the outlet. If it is plugged for a long time, operation panel, etc. may be damaged by lightning surge.**

③ Do not put chemical fertilizers or disinfectants such as ammonia, sulfur, chlorine, acid, etc. near the stored dryer.



⚠ CAUTION

- **Do not put chemicals near this dryer. If chemicals are near the dryer, the resulting chemical reactions may cause malfunctions.**